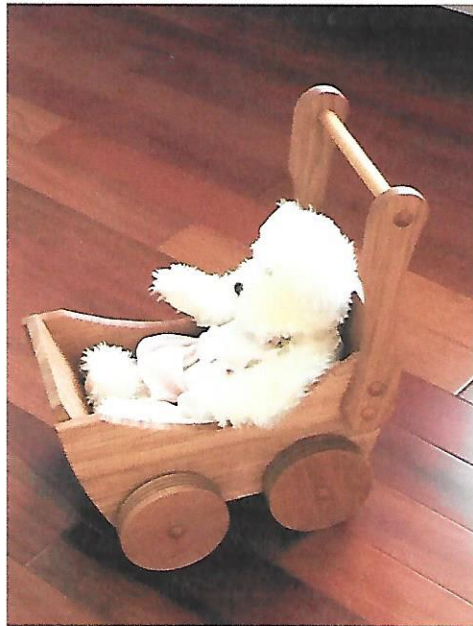


Doll Carriage

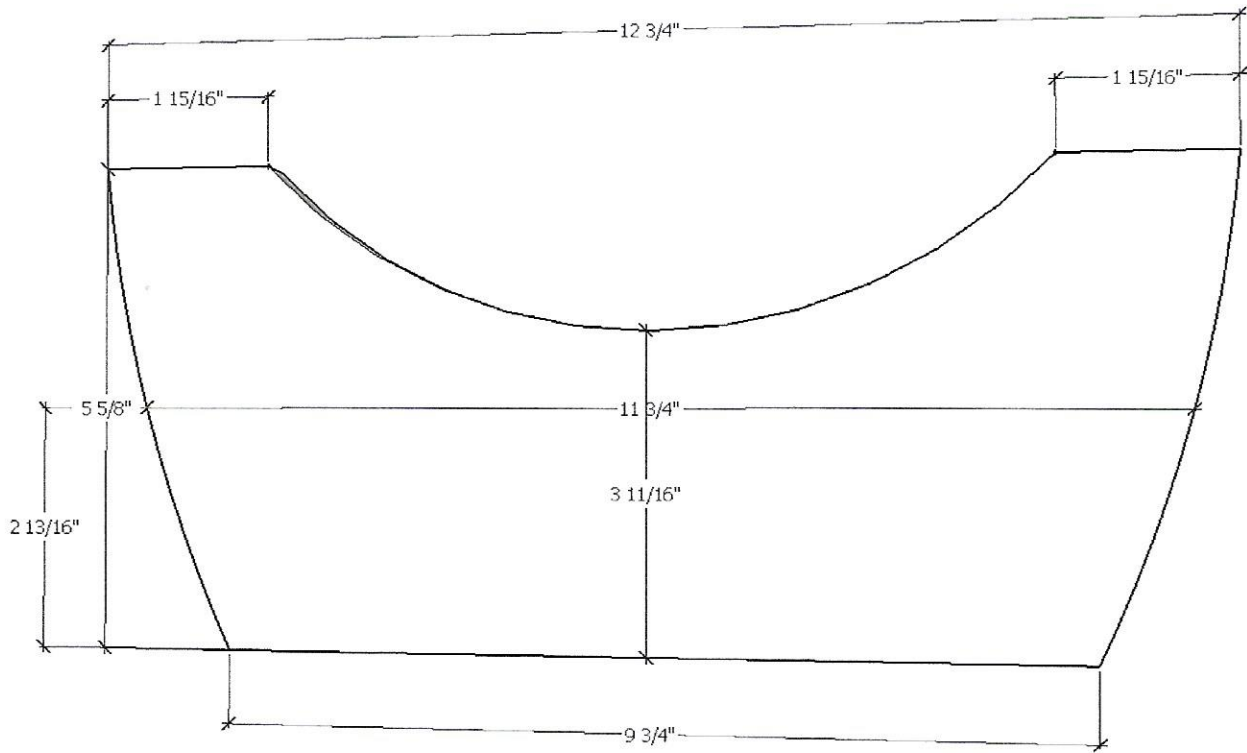


- Sides (2) $\frac{1}{2}$ " x $5 \frac{5}{8}$ " x $12 \frac{3}{4}$ "
- Head (1) $\frac{1}{2}$ " x $5 \frac{3}{4}$ " L x $5 \frac{7}{8}$ " W
- Foot (1) $\frac{1}{2}$ " x $5 \frac{1}{4}$ " L x $5 \frac{7}{8}$ " W
- Base (1) $\frac{1}{2}$ " x $9 \frac{9}{16}$ " L x $5 \frac{7}{8}$ " W
- Handle (2) $\frac{5}{8}$ "^{thick} x $10 \frac{5}{16}$ " L x 2" W
- Handle (1) $\frac{5}{8}$ dia. Dowel
- Wheels (4) $4 \frac{1}{4}$ " dia. x $\frac{3}{4}$ " thick
- Axles (2) $\frac{3}{8}$ " dowels x $10 \frac{1}{2}$ " long

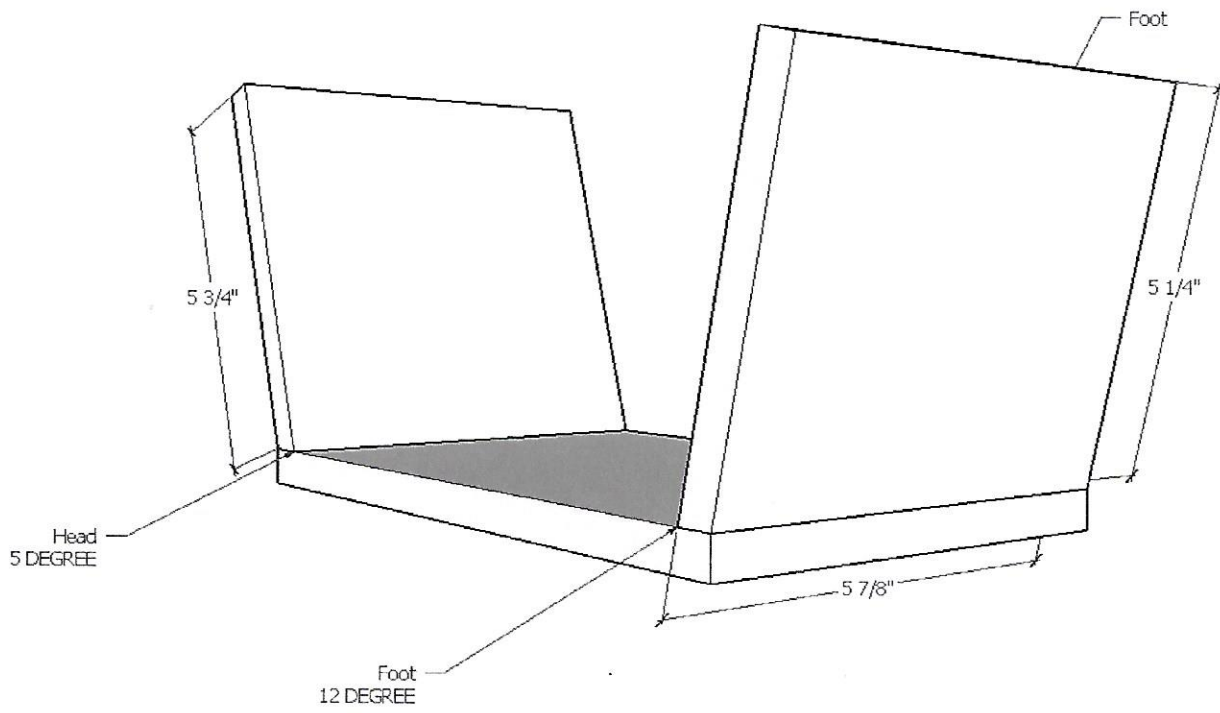
All measurements are approximate - adjust as you go through the building process. Make this "your project" - just fill in any blanks.

Thank you Jim Ward

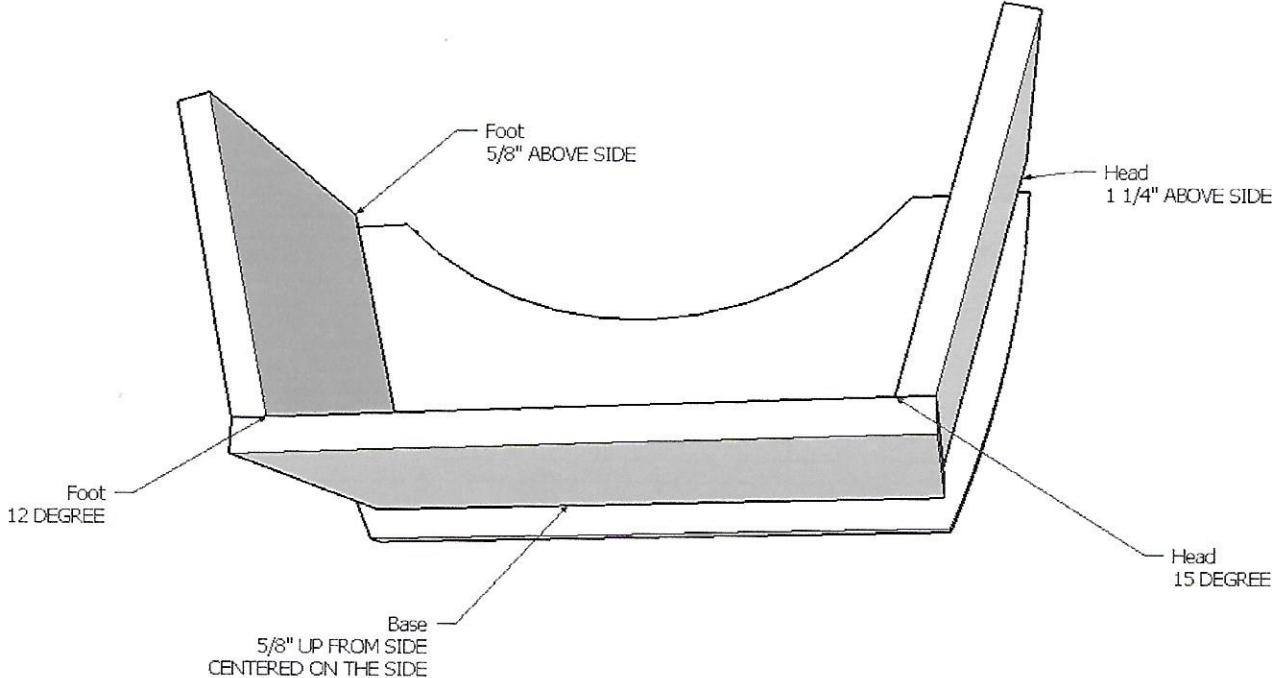
SIDE



BASE - HEAD - FOOT



SIDE VIEW



HANDLE

