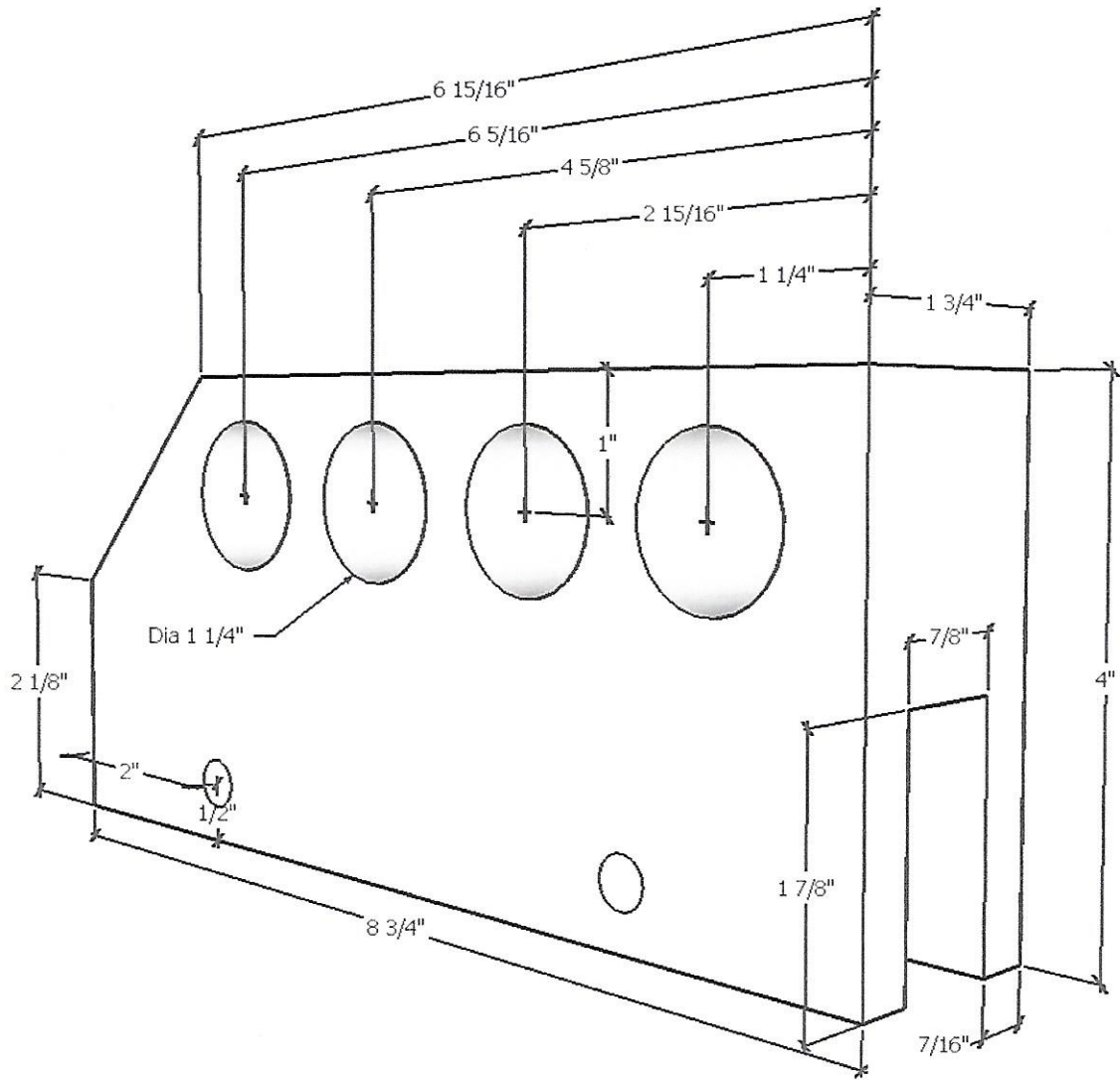


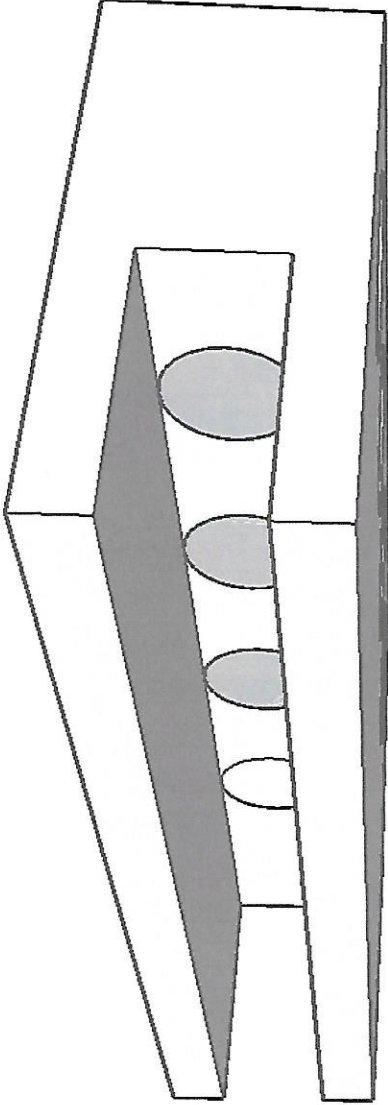
BOUNCING BUS



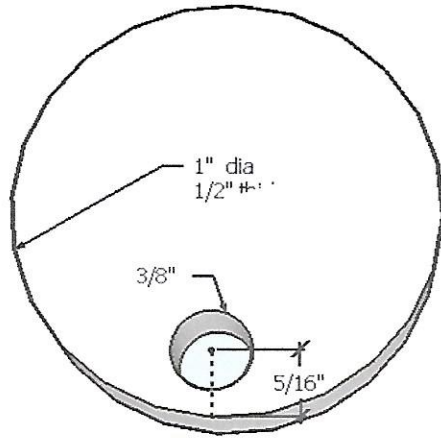
- Bus Body: 8" x 4" x 1 3/4"
- Lifting Bar: 7" long x 5/8" wide x 1/2" thick
- People: 3/4" dia. x 2" high
- Wheels: 2 1/4" dia.
- Axles: 3/8" x 3" +/-
- Front & Rear Fillers (not shown): 3/4" thick x 1 7/8" wide - fit to opening

This is your toy - measurements are suggestions only!





7/8" holes from
bottom for people
to be seen



Cam